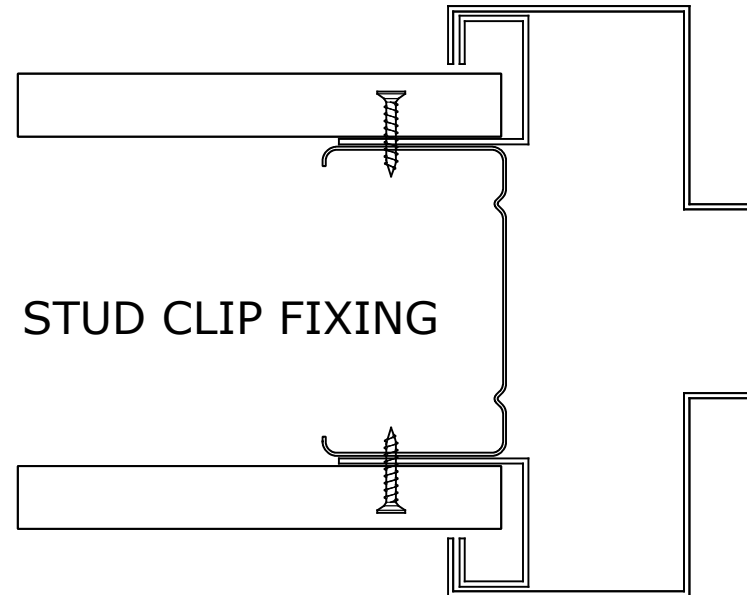


STUD CLIP FIXING

Suitable for Non Rated Applications only. Frame to be installed during construction of the wall. Profile can be modified to suit various channel sizes and stud clips supplied to suit various sheet thicknesses. No additional finishing (i.e. corner bead) of junction between wall sheet and frame.

The frame, once installed, sits proud of the wall and as such is not suited to applications requiring a flush finish to the adjoining wall. Frame is secured by driving screws through stud clip fin into the side of the wall channel. Suitable for installation where nibs less than 300mm are provided from a sheer wall. Stud clips are supplied loose with the frame and are clipped into the back of the frame architrave during installation.



Taylor's Doors & Frames Pty Ltd

20 Orchard Road
Brookvale NSW 2100
Ph: + 61 2 9905 1222
Email: admin@taylor'sdoors.com.au

General Notes:

www.taylor'sdoors.com.au

Drawn By: Peter Mole

Date: 13th October 2016

Drawing ID: PWFixingOptionsSC

Sheet:

1 of 1

Revision: B