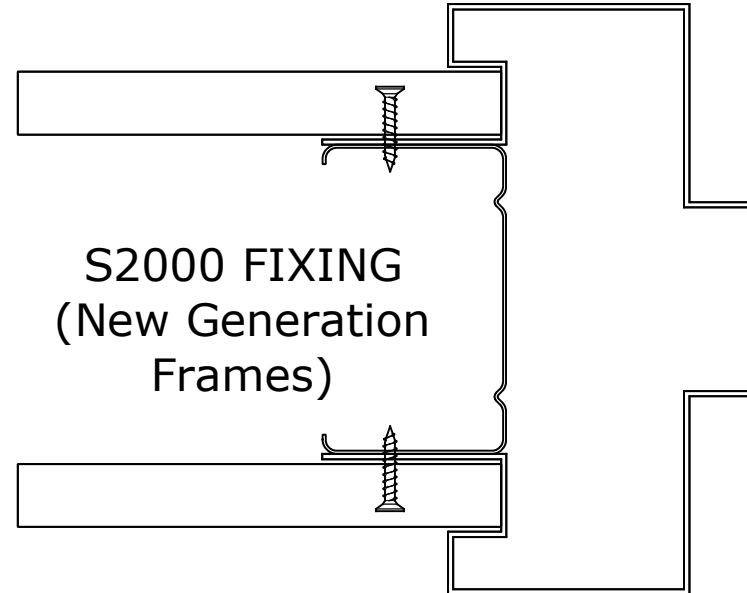


**S2000 (or New Generation) FIXING**

Suitable for both Fire Rated and Non Rated Applications. Frame to be installed during construction of the wall. Profile can be modified to suit various channel sizes and sheet thicknesses. No additional finishing (i.e. corner bead) of junction between wall sheet and frame.

The frame, once installed, sits proud of the wall and as such is not suited to applications requiring a flush finish to the adjoining wall. Frame is secured by driving screws through the extended fins into the side of the wall channel. Suitable for installation where nibs less than 300mm are provided from a sheer wall.



**Taylor's Doors & Frames Pty Ltd**

20 Orchard Road  
Brookvale NSW 2100  
Ph: + 61 2 9905 1222  
Email: [admin@taylor'sdoors.com.au](mailto:admin@taylor'sdoors.com.au)

General Notes:

[www.taylor'sdoors.com.au](http://www.taylor'sdoors.com.au)

Drawn By: Peter Mole

Date: 13th October 2016

Drawing ID: PWFixingOptionsNG

Sheet:

1 of 1

Revision: B